

Revision History				
REV	CHECKED	REV NOTE	APPROVED	DATE
2	----	----		

EXT3		CABLE FOR CONNECTION	
1		1	Brown 0,5 mm ²
2		2	Green 0,5 mm ²
3		3	White 0,5 mm ²

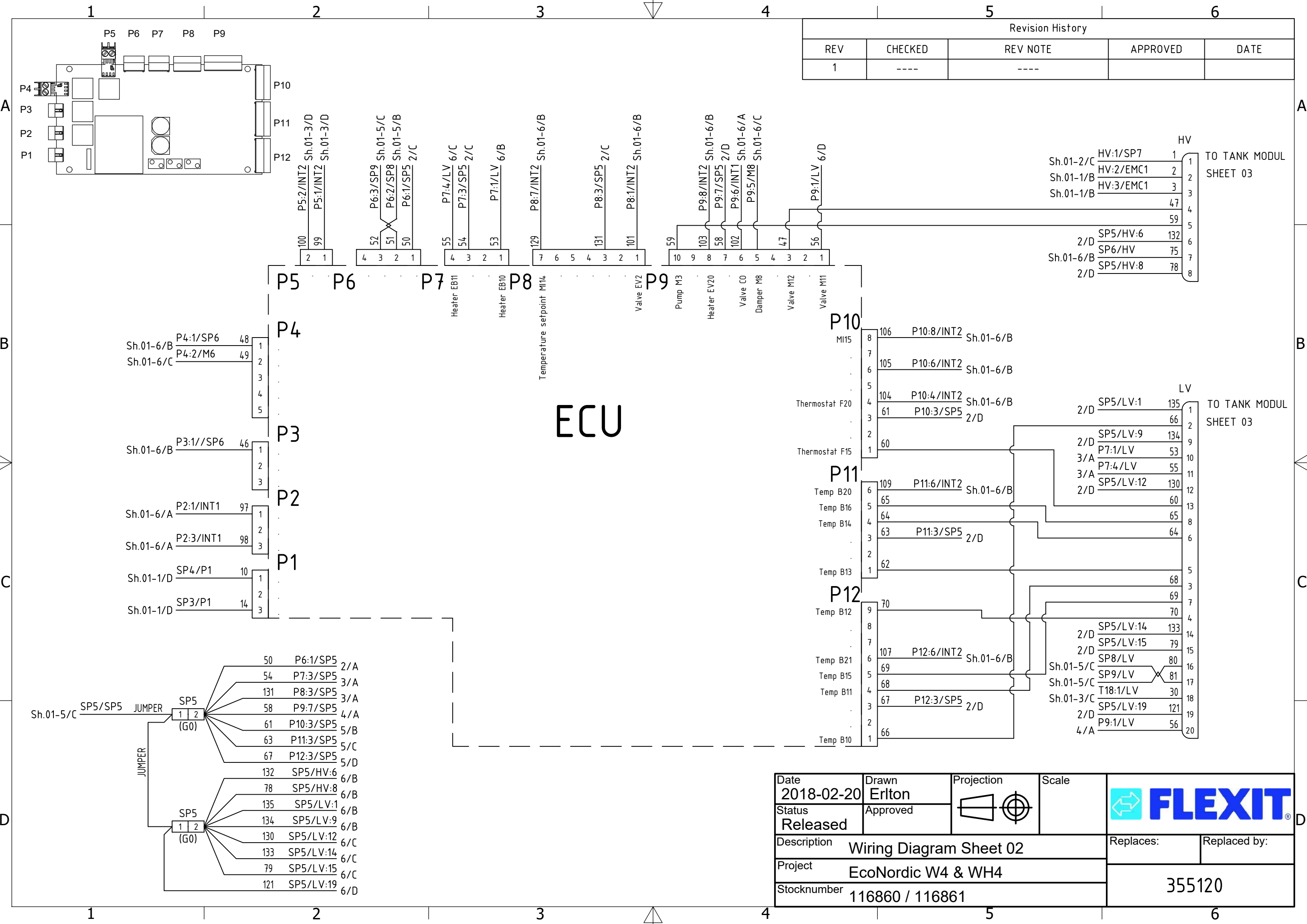
INT1		Sh.	
97	P2:1/INT1	Sh.02-1/C	
98	P2:3/INT1	Sh.02-1/C	
102	P9:6/INT1	Sh.02-4/A	

INT2		Sh.	
9	101 P8:1/INT2	Sh.02-3/A	
10	103 P9:8/INT2	Sh.02-4/A	
11	104 P10:4/INT2	Sh.02-5/B	
12	105 P10:6/INT2	Sh.02-5/B	
13	106 P10:8/INT2	Sh.02-5/B	
14	107 P12:6/INT2	Sh.02-5/C	
15	108 SP5/INT2	5/C	
16	109 P11:6/INT2	Sh.02-5/C	
17	112 SP1/INT2	2/C	
18	129 P8:7/INT2	Sh.02-3/A	

MODBUS		Sh.	
119		Sh.02-6/B	
116		Sh.02-1/B	
114		Sh.02-1/B	
115			

HEATER		Sh.	
44	T19:2/HEATER	3/A	
45	SP3/HEATER	1/D	
36	T2:1/HEATER	3/C	
122	SP5/HEATER:4	4/C	
23	T1:4/HEATER	2/C	
28	SP5/HEATER:6	4/C	

Date	2019-01-21	Drawn	Erlton	Projection	Scale
Status	Released	Approved			
Description				Wiring Diagram Sheet 01	
Project				EcoNordic W4 & WH4	
Stocknumber				116860 / 116861	
Replaces:			Replaced by:		
			355119		



Revision History				
REV	CHECKED	REV NOTE	APPROVED	DATE
1	----	----		

		HV	
Sh.01-2/C	HV:1/SP7	1	1
Sh.01-1/B	HV:2/EMC1	2	2
Sh.01-1/B	HV:3/EMC1	3	3
		47	4
		59	5
2/D	SP5/HV:6	132	6
Sh.01-6/B	SP6/HV	75	7
2/D	SP5/HV:8	78	8

		LV	
2/D	SP5/LV:1	135	1
		66	2
2/D	SP5/LV:9	134	9
3/A	P7:1/LV	53	10
3/A	P7:4/LV	55	11
2/D	SP5/LV:12	130	12
		60	13
		64	8
			6
			5
		68	3
		69	7
		70	4
2/D	SP5/LV:14	133	14
2/D	SP5/LV:15	79	15
	SP8/LV	80	16
Sh.01-5/C	SP9/LV	81	17
Sh.01-5/C	T18:1/LV	30	18
Sh.01-3/C	SP5/LV:19	121	19
2/D			20
4/A	P9:1/LV	56	

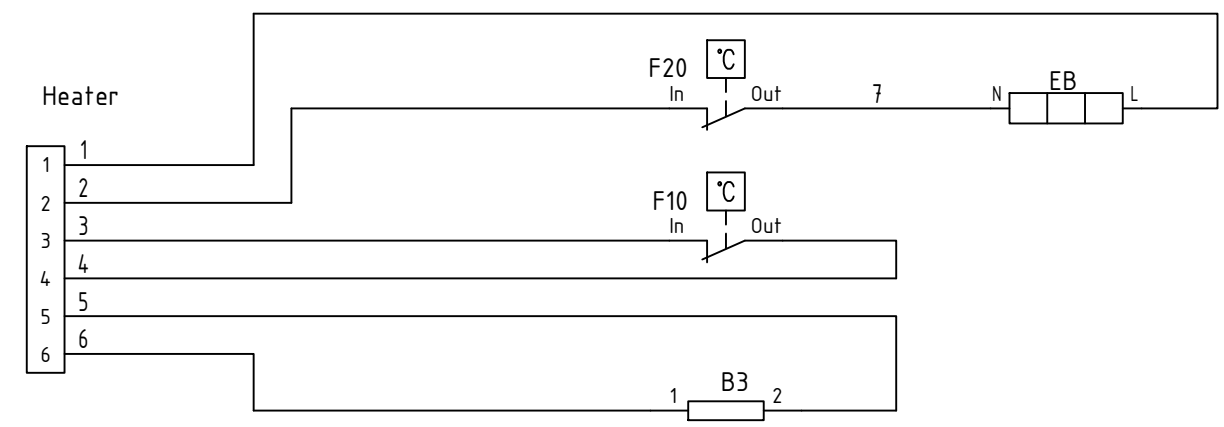
TO TANK MODUL SHEET 03

TO TANK MODUL SHEET 03

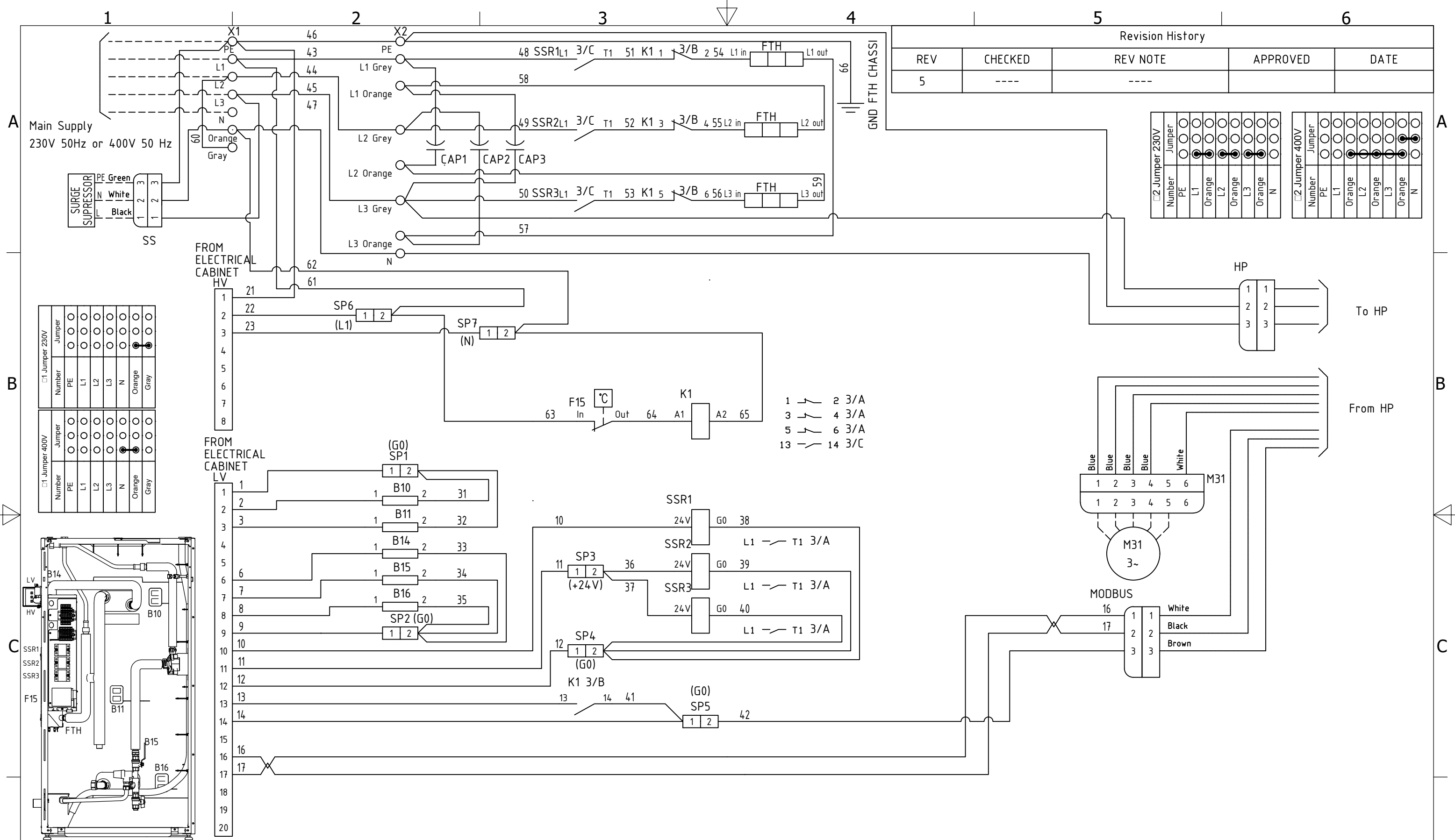
Date	2018-02-20	Drawn	Erlton	Projection		Scale	
Status	Released	Approved					
Description	Wiring Diagram Sheet 02					Replaces:	Replaced by:
Project	EcoNordic W4 & WH4					355120	
Stocknumber	116860 / 116861						

Connector	Pin	Wire No	Marking	Wire Type	Area	Colour	Connector	Cable equipped with	Pin
Heater	1	1		H05V-K 90°	1,0mm ²	White	EB	CL+CV	N
Heater	2	2		H05V-K 90°	1,0mm ²	White	OT	CG+CH	In
Heater	3	3		H05V-K 90°	0,5mm ²	Black	B5	CL+CV	In
Heater	4	4		H05V-K 90°	0,5mm ²	Black	B5	CL+CV	Out
Heater	5	5		H05V-K 90°	0,5mm ²	White	B3	CQ	2
Heater	6	6		H05V-K 90°	0,5mm ²	White	B3	CQ	1
OT	Out	7		H05V-K 90°	0,5mm ²	White	EB	CL+CV	L

Revision History				
REV	CHECKED	REV NOTE	APPROVED	DATE
1	----	----		



Date 2018-02-20	Drawn Erlton	Projection 	Scale	
Status Released	Approved			
Description Wiring Diagram Sheet 03			Replaces:	Replaced by:
Project EcoNordic W4 & WH4			355121	
Stocknumber 116860 / 116861				



Revision History				
REV	CHECKED	REV NOTE	APPROVED	DATE
5	----	----		

A Main Supply
230V 50Hz or 400V 50 Hz

B

C

D

<input type="checkbox"/> 1 Jumper 230V		Jumper																		
Number	PE	L1	L2	L3	N	Orange	Gray													

<input type="checkbox"/> 2 Jumper 230V		Jumper																		
Number	PE	L1	L2	L3	N	Orange	Orange	Orange	Orange	N										

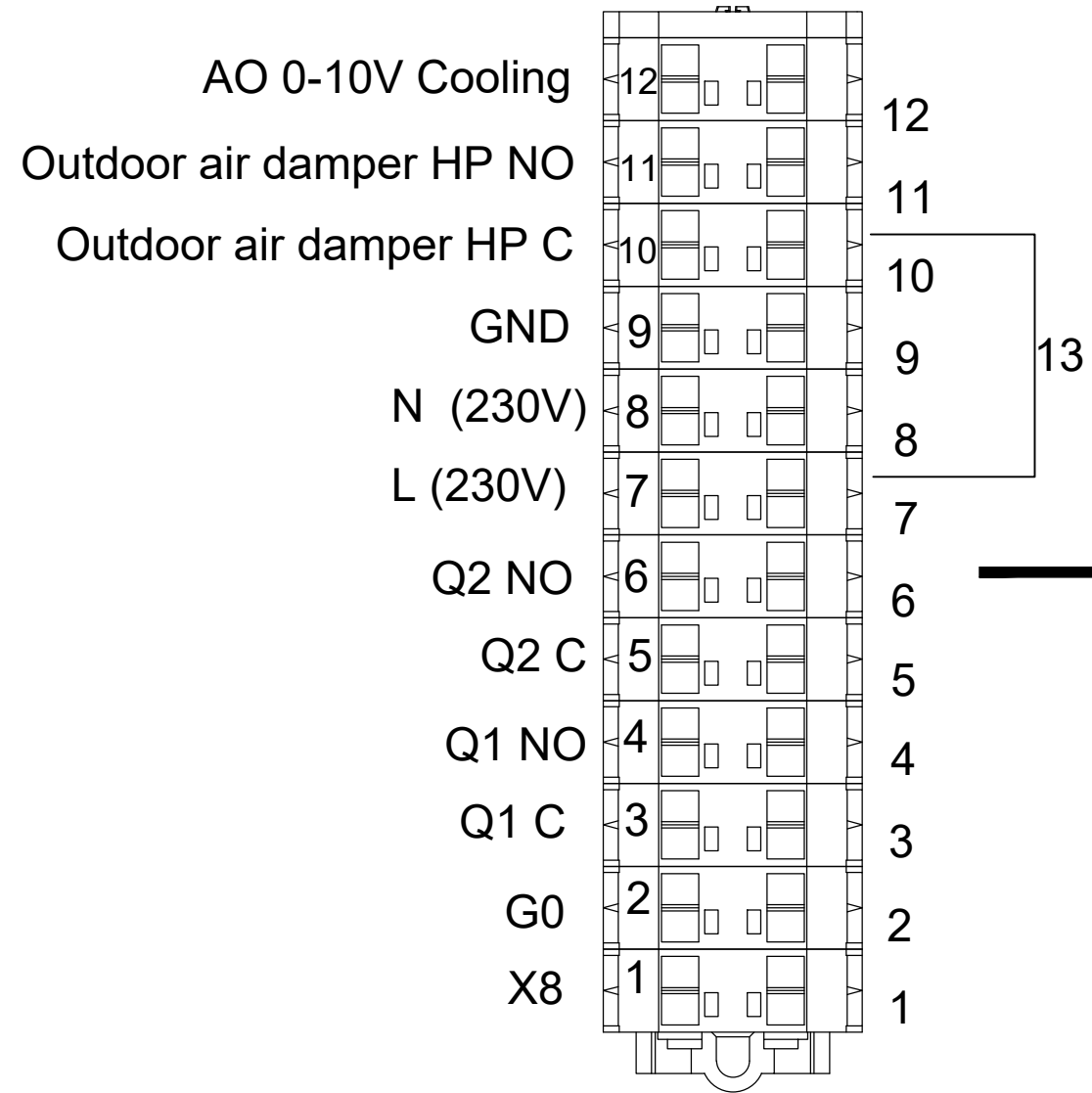
<input type="checkbox"/> 2 Jumper 400V		Jumper																		
Number	PE	L1	L2	L3	N	Orange	Orange	Orange	Orange	N										

Date	2019-01-21	Drawn	Erlton	Projection		Scale	
Status	Released	Approved					
Description	Wiring Diagram Sheet 04				Replaces:		Replaced by:
Project	EcoNordic W4				355122		
Stocknumber	116861						

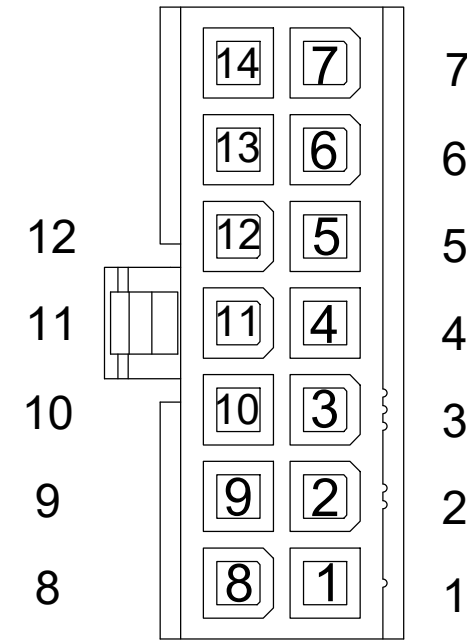


6 5 4 3 2 1

Revision History				
REV	CHECKED	REV NOTE	APPROVED	DATE
2	----	added cable no 13 between terminal 7 and 10		2019-11-21



connects to terminal INT1 on sheet 1



Date 2018-02-21	Drawn Erlton	Projection 	Scale	
Status released	Approved			
Description Wiring Diagram Sheet 05			Replaces:	Replaced by:
Project std accessories connection EcoNordic			355123	
Stocknumber 116860 / 116861				

6 5 4 3 2 1

DESCRIPTION	NO	EN	SV	DA	FI
B1	Temperaturføler, tilluft	Temperature sensor, supply air	Temperaturgivare, tilluft	Temperaturføler, indblæsningsluft	Lämpötila-anturi, tuloilma
B3	Temperaturføler, avtrekk	Temperature sensor, extract air	Temperaturgivare, frånluft	Temperaturføler, udsugningsluft	Lämpötila-anturi, poistoilma
B4	Temperaturføler, uteluft	Temperature sensor, outdoor air	Temperaturgivare, uteluft	Temperaturføler, udeluft	Lämpötila-anturi, ulkoilma
B5	Temperaturføler, returvann	Temperature sensor, return water	Temperaturgivare, returvatten	Temperaturføler, returvand	Lämpötila-anturi, paluuvesi
B6	Temperaturføler, avkast	Temperature sensor, exhaust air	Temperaturgivare, avluft	Temperaturføler, udblæsning	Lämpötila-anturi, jäteilma
B10	Temperaturføler, tank topp	Temperature sensor, top of tank	Temperaturgivare, tank topp	Temperaturføler, tank top	Lämpötila-anturi, varaajan päällä
B11	Temperaturføler, tank midt	Temperature sensor, middle of tank	Temperaturgivare, tank mitt	Temperaturføler, tank midt	Lämpötila-anturi, varaajan keskellä
B14	Temperaturføler, etter elektrisk ettervarmebatteri (FTH)	Temperature sensor, after electrical heating battery (FTH)	Temperaturgivare, efter elektrisk eftervarmebatteri (FTH)	Temperaturføler, efter elektrisk eftervarmeblade (FTH)	Lämpötila-anturi, sähkö lämmityspatteri (FTH)
B15	Temperaturføler, fra tank til varmepumpe	Temperature sensor, from tank to HP	Temperaturgivare, från tank till HP	Temperaturføler, fra tank til varmepumpe	Lämpötila-anturi, varaajasta HP:hen
B16	Temperaturføler, tank bunn	Temperature sensor, bottom of tank	Temperaturgivare, tank bott	Temperaturføler, tank bund	Lämpötila-anturi, varaajan pohjalla
CI70	Styrepanel	Control panel	Styrpanel	Styrepanel	Ohjauspaneeli
CU	Styrekort	Control board	Styrkort	Styrekort	Ohjainkortti
ECU	I/O-kort	I/O-board	I/O-kort	I/O-kort	I/O-taulu
SP(XX)	Sammenkoblingspunkt internt i ledningssett	Internal splice in cable harness	Sammankopplingspunkt internt i kablage	Sammenkoblingspunkt internt i ledningssæt	Johdinsarjan sisäliitos
M1	Tilluftsvifte	Supply air fan	Tilluftsflykt	Indblæsningsventilator	Tuloilmapuhallin
M2	Avtrekksvifte	Extract air fan	Frånluftsflykt	Udsugningsventilator	Poistoilmapuhallin
M3	Rotormotor	Rotor motor	Rotormotor	Rotormotor	LTO-kiekon moottori
M6	Avkastspjeld	Exhaust air damper	Avluftsspjäll	Udblæsningsspjæld	Poistoilman vaimennin
M8	Avkast til varmepumpespjeld	Exhaust air to HP damper	Avluft till HP spjäll	Udblæsning til varmepumpespjæld	Poistoilma-HP-vaimennin
F10	Overopphetningstermostat EB1 Manuell reset	Thermostat overheating EB1 Manual reset	Överhettningstermostat EB1 Manuell återställning	Overophedningstermostat EB1 Manuel resetfunktion	Ylilämpötermostaatti EB1 Manuaalinen nollaus
F15	Overopphetningstermostat elpatron (FTH), manuell reset	Thermostat overheating FTH, manual reset	Överhettningstermostat elpatron (FTH), manuell återställning	Overophedningstermostat elpatron (FTH), manuel reset	Ylilämpötermostaatti, FTH, manuaalinen nollaus
F20	Overopphetningstermostat EB1 Automatisk reset	Thermostat overheating EB 1 Automatic reset	Överhettningstermostat EB1 Automatisk återställning	Overophedningstermostat EB1 Automatisk reset	Termostaatti EB1 Automaattinen nollaus
M31	Sirkulasjonspumpe	Circulation pump	Cirkulationspump	Cirkulationspumpe	Kiertopumppu
K1	Rele	Relay	Relä	Relæ	Rele
SSR	Solid state rele	Solid state relay	Solidstate relä	Solid state-relæ	Puolijohderele
EB	Ettervarmebatteri, elektrisk	Heating battery, electrical	Eftervarmebatteri, elektrisk	Eftervarmeblade, elektrisk	Lämmityspatteri, sähkö
HP	Varmepumpe	Heat pump	Värmepump	Varmepumpe	Lämpöpumppu